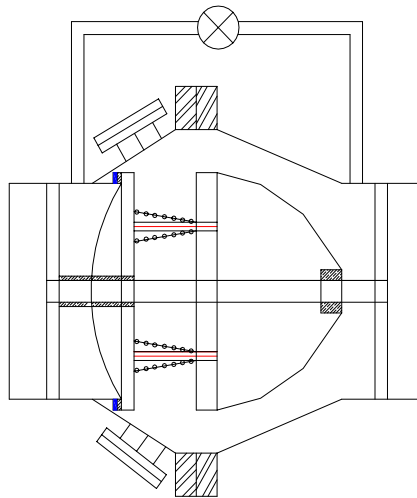


HWE ZERO VELOCITY VALVE



HWE Zero Velocity Valve consists of a Spring loaded closing disc for stopping reverse flow in case of failure of pumps. It is enclosed in an outer shell. A well designed dome is located in back of disc to stream line the flow in routine operation. Disc is mounted on a central shaft and is further supported by guide rods. Valve is provided with a bye pass arrangement.

Valves are generally supplied with barrel ends but can also be flanged, if so desired.

The springs are designed in such a manner that the valve remains full open when 25% of designed velocity is achieved. In case of closure of pump, disc starts closing in relation to decrease of velocity and fully closes when velocity drops near to zero. Thus upstream water column is prevented from creating water hammer wave.

Bye pass arrangement keeps pressure balance on both sides of disc. It also prevents creation of vacuum in downstream side.

Manufactured by:

HINDUSTAN WATER ENGINEERING COMPANY

HWE Bhavan, 47, INDUSTRIAL AREA, MANDSAUR (M.P.) INDIA Pin-458 001

Ph: 256133, 241382, 234533, Fax : (07422) 232342

Email : hweindia@yahoo.co.in, hweindia@dataone.in, hindustanwaterenggcom@yahoo.com