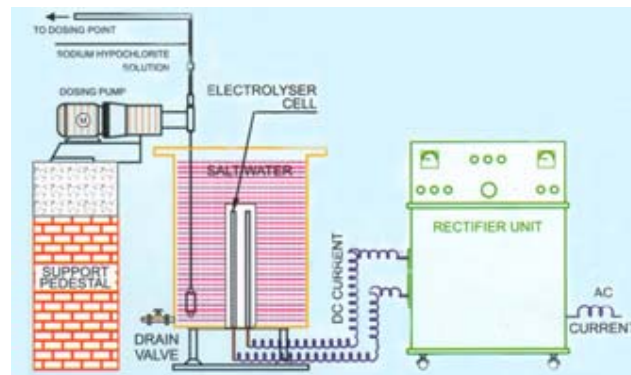


HWE ELECTRO CHLORINATOR



HWE Electro Chlorinators are best solution to the risk and hazards of Gas Chlorine or the expensive Bleaching Powder Solution. HWE Electro Chlorinator generates active chlorine at site in the form of Sodium Hypo Chlorite. It is safest and cheapest method of disinfection.

PRINCIPLE OF OPERATION:

Common salt is electrolyzed in an electrolysis cell by a suitable DC current whereby NaOCL and Hydrogen are generated. Hydrogen escapes to atmosphere and NaOCL solution is fed by HWE Metering and Dosing Pump to water.

Construction:

HWE Electro Chlorinator consists of one Brine Tank, Electrolysis cell, Hypo Storage Tank, Dosing Pump and a Control Panel to convert AC power into DC power. It also provides power to Dosing Pump.

Models of HWE Electro Chlorinator

Model	Chlorine output (Grammes/8 hours)	Treatable volume M ³ @ 1 ppm
HWE/1	150	150
HWE/2	300	300
HWE/3	500	500
HWE/4	1000	1000
HWE/5	2000	2000

Since 1959

Manufactured by:

HINDUSTAN WATER ENGINEERING COMPANY

HWE Bhavan, 47, INDUSTRIAL AREA, MANDSAUR (M.P.) INDIA Pin-458 001

Ph: 256133, 241382, 234533, Fax : (07422) 232342

Email: hweindia@yahoo.co.in, hweindia@dataone.in, hindustanwaterenggcom@yahoo.com

Web site: www.hweindia.com